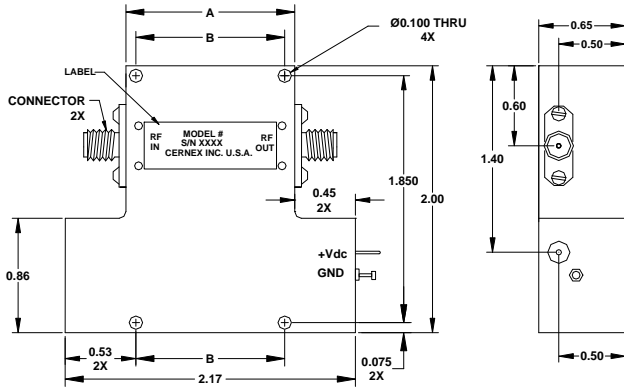
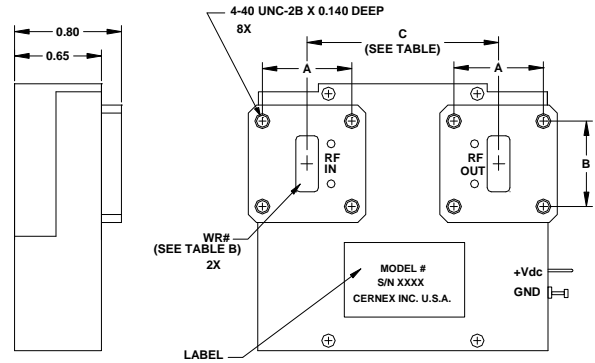


MKP Series with COXIAL CONNECTORS



CASE TYPE	DIMENSIONS	
	A	B
MKP4	1.27	1.120
MKP5	1.49	1.345
MKP6	1.71	1.570
MKP7	1.93	1.790

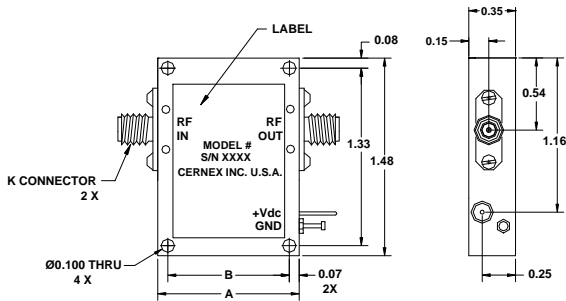
MKP Series with WAVEGUIDE CONNECTORS



CASE TYPE	C
MKP4	1.4
MKP5	1.7
MKP6	1.9
MKP7	2.1

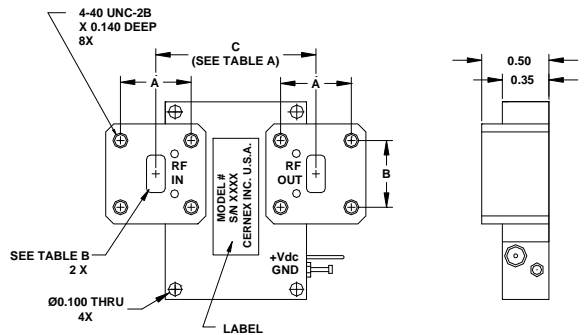
WR#	A	B
WR42	.67	.64
WR34	.67	.64
WR28	.53	.50
WR22	.53	.50
WR19	.53	.50

MK, MV, MN Series with COXIAL CONNECTORS



CASE TYPE	DIMENSIONS	
	A	B
MK1, MV1	0.684	0.535
MK2, MV2, MN2	0.830	0.680
MK3, MV3, MN3	1.050	0.900
MK4, MV4, MN4	1.270	1.130
MK5, MV5, MN5	1.490	1.350
MK6, MV6, MN6	1.710	1.570

MK, MV, MN Series with WAVEGUIDE CONNECTORS



CASE TYPE	C
MK3, MV3, MN3	1.2
MK4, MV4, MN4	1.5
MK5, MV5, MN5	1.7
MK6, MV6, MN6	1.9

WR#	A	B
WR42	.67	.64
WR34	.67	.64
WR28	.53	.50
WR22	.53	.50
WR19	.53	.50