

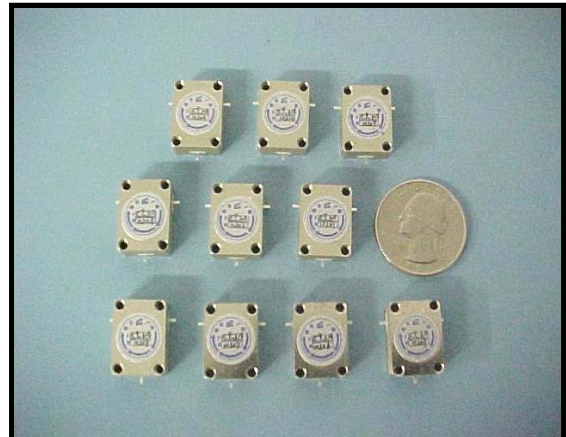
Drop-in Isolators and Circulators

FEATURES:

- ❖ Low Cost, High Quality
- ❖ Compact Size, Light Weight
- ❖ High Performance
- ❖ Wide Operation Temperature Range

APPLICATIONS:

- ❖ Load isolation
- ❖ Module integration
- ❖ Transceiver duplexer



CID & CCD Series

SPECIFICATIONS:

ISOLATORS:

Model No.	Frequency Range (GHz)	Band Width (MHz)	Insertion Loss (dB Max)	Isolation (dB Min)	VSWR (Max)	Operating Temp. Range (°C)	Power (W)	Size LXWXH (mm)
*CIDU1U20616G-XX	0.15-0.2	8	0.6	16	1.40	0 to +60	100	70x84x15
*CIDU2U20518G-XX	0.2-0.25	20	0.5	18	1.30	0 to +60	100	50.5X64.5X15
*CIDU4U50323S-XX	0.4-0.5	40	0.3	23	1.20	-40 to +70	10	40X43.5X14.5
*CIDU4U50325G-XX	0.4-0.5	30	0.3	25	1.20	-15 to +60	100	44X54X15.6
*CIDU4U60325G-XX	0.4-0.6	10	0.3	25	1.20	-15 to +60	10	35X38X13
*CIDU4U60325G1-XX	0.4-0.6	10	0.3	25	1.20	-15 to +60	100	35x46x13
*CIDU4U40323G	0.45-0.47	-	0.3	23	1.20	-40 to +85	150	CB06
*CIDU4U40323G1	0.45-0.47	-	0.3	23	1.20	-40 to +85	150	CB07
*CIDU6U80325G-XX	0.6-0.8	30	0.3	25	1.20	-30 to +70	10	35X38X13
*CIDU6U80325G1-XX	0.6-0.8	30	0.3	25	1.20	-30 to +70	100	35X46X13
*CIDU6U80420G	0.69-0.80	-	0.4	20	1.25	-40 to +85	150	CB06
*CIDU6U80420G1	0.69-0.80	-	0.4	20	1.25	-40 to +85	150	CB07
*CIDU7010323S-XX	0.7-1.0	70	0.3	23	1.20	-40 to +70	10	30X35.5X12.2
*CIDU8010323GH-XX	0.8-1.0	25	0.3	23	1.20	-30 to +70	10	25.4X25.4X10
CIDU8010323G1-XX	0.8-1.0	25	0.3	23	1.20	-30 to +70	100	25.4X31.7X10
CIDU8010520G1-XX	0.8-1.0	100	0.5	20	1.25	-30 to +70	100	25.4X31.7X10
*CIDU8010520G-XX	0.8-1.0	100	0.5	20	1.25	-30 to +70	10	25.4X25.4X10
*CIDU8010323S-XX	0.8-1.0	20	0.35	23	1.20	-30 to +80	10	25.4X31.7X6.8
*CIDU8010323G-XX	0.8-1.0	25	0.3	23	1.20	-30 to +70	100	25.4X31.7X6.8
*CIDU8010520G2-XX	0.8-1.0	100	0.5	20	1.25	-30 to +70	100	25.4X31.7X6.8



Drop-in Isolators and Circulators

Model No.	Frequency Range (GHz)	Band Width (MHz)	Insertion Loss (dB Max)	Isolation (dB Min)	VSWR (Max)	Operating Temp. Range (°C)	Power (W)	Size LXWXH (mm)
*CIDU8010323G3-XX	0.8-1.2	25	0.35	23	1.20	-30 to +70	10	20X20X8.5
*CIDU8020323S-XX	0.8-2.0	20	0.35	23	1.20	-30 to +80	10	20X20X9.6
*CIDU8U80225G	0.82-0.84	-	0.25	25	1.20	-40 to +85	150	CB01
*CIDU8U80323G	0.82-0.84	-	0.35	23	1.20	-40 to +85	50	CB02
*CIDU8U80225G1	0.86-0.89	-	0.25	25	1.20	-40 to +85	150	CB01
*CIDU8U80323G1	0.86-0.89	-	0.35	23	1.20	-40 to +85	50	CB02
*CIDU8U90225G	0.89-0.91	-	0.25	25	1.20	-40 to +85	150	CB01
*CIDU8U90323G	0.89-0.91	-	0.35	23	1.20	-40 to +85	50	CB02
*CIDU9020323S-XX	0.9-2.3	90	0.3	23	1.20	-40 to +70	10	25.4X30X10.5
*CIDU9U90225G	0.93-0.96	-	0.25	25	1.20	-40 to +85	150	CB01
*CIDU9U90323G	0.93-0.96	-	0.35	23	1.20	-40 to +85	50	CB02
*CID01020323S2-XX	1.5-2.5	40	0.35	23	1.20	-40 to +70	10	19X19X8.7
*CID01020323S3-XX	1.5-2.5	40	0.35	23	1.20	-40 to +70	10	19X19X8.3
*CID01030323G-XX	1.6-3.8	70	0.3	23	1.20	-30 to +70	10	19X19X8
*CID01030420G-XX	1.6-3.8	200	0.4	20	1.20	-30 to +70	100	19X25.4X8
*CID01020323G2-XX	1.7-2.2	70	0.3	23	1.20	-30 to +70	100	25.4X31.7X6.8
*CID01010225G	1.71-1.78	-	0.25	25	1.20	-40 to +85	150	CB01
*CID01010325G	1.71-1.78	-	0.3	25	1.20	-40 to +85	100	CB03
*CID01010325G1	1.71-1.78	-	0.3	25	1.20	-40 to +85	50	CB04
*CDI01010225G4	1.75-1.78	-	0.25	25	1.20	-40 to +85	150	CB01
*CDI01010325G8	1.75-1.78	-	0.3	25	1.20	-40 to +85	100	CB03
*CDI01010325G9	1.75-1.78	-	0.3	25	1.20	-40 to +85	50	CB04
*CID01010225G1	1.80-1.88	-	0.25	25	1.20	-40 to +85	150	CB01
*CID01010325G2	1.80-1.88	-	0.3	25	1.20	-40 to +85	100	CB03
*CDI01010325G11	1.80-1.88	-	0.3	25	1.20	-40 to +85	50	CB04
*CDI01010225G5	1.85-1.88	-	0.25	25	1.20	-40 to +85	150	CB01
*CDI01010325G10	1.85-1.88	-	0.3	25	1.20	-40 to +85	100	CB03
*CDI01010325G11	1.85-1.88	-	0.3	25	1.20	-40 to +85	50	CB04
*CID01010225G2	1.85-1.91	-	0.25	25	1.20	-40 to +85	150	CB01
*CID01010325G4	1.85-1.91	-	0.3	25	1.20	-40 to +85	100	CB03
*CID01010325G5	1.85-1.91	-	0.3	25	1.20	-40 to +85	50	CB04
*CID01010225G6	1.88-1.92	-	0.25	25	1.20	-40 to +85	150	CB01
*CID01010325G12	1.88-1.92	-	0.3	25	1.20	-40 to +85	100	CB03
*CID01010325G13	1.88-1.92	-	0.3	25	1.20	-40 to +85	50	CB04



Drop-in Isolators and Circulators

Model No.	Frequency Range (GHz)	Band Width (MHz)	Insertion Loss (dB Max)	Isolation (dB Min)	VSWR (Max)	Operating Temp. Range (°C)	Power (W)	Size LXWXH (mm)
*CID01010225G7	1.92-1.98	-	0.25	25	1.20	-40 to +85	150	CB01
*CID01010325G14	1.92-1.98	-	0.3	25	1.20	-40 to +85	100	CB03
*CID01010325G15	1.92-1.98	-	0.3	25	1.20	-40 to +85	50	CB04
*CID01010225G3	1.93-1.99	-	0.25	25	1.20	-40 to +85	150	CB01
*CID01010325G6	1.93-1.99	-	0.3	25	1.20	-40 to +85	100	CB03
*CID01010325G7	1.93-1.99	-	0.3	25	1.20	-40 to +85	50	CB04
*CID02030325S-XX	2.0-3.2	200	0.3	25	1.20	-40 to +70	10	22X30X10.5
*CID02020225G	2.01-2.02	-	0.25	25	1.20	-40 to +85	150	CB01
*CID02020325G	2.01-2.02	-	0.3	25	1.20	-40 to +85	100	CB03
*CID02020325G1	2.01-2.02	-	0.3	25	1.20	-40 to +85	50	CB04
*CID02040325S-XX	2.1-4.5	200	0.3	25	1.20	-40 to +70	10	18X25X10.5
*CID02020225G1	2.11-2.17	-	0.25	25	1.20	-40 to +85	150	CB01
*CID02020325G2	2.11-2.17	-	0.3	25	1.20	-40 to +85	100	CB03
*CID02020325G3	2.11-2.17	-	0.3	25	1.20	-40 to +85	50	CB04
*CID02020323G	2.3-2.4	-	0.3	23	1.20	-40 to +85	100	CB03
*CID02020323G1	2.3-2.4	-	0.3	23	1.20	-40 to +85	50	CB04
*CID02050323S-XX	2.7-5.0	200	0.3	23	1.20	-40 to +70	10	14X22X10
*CID03060323G-XX	3.0-6.0	300	0.3	23	1.20	-30 to +70	10	19X19X7.7
*CID03060323G1-XX	3.0-6.0	300	0.3	23	1.20	-30 to +70	100	19X27X7.7
*CID03060520G-XX	3.0-6.0	500	0.5	20	1.25	-30 to +70	10	19X19X7.7
*CID03060520G1-XX	3.0-6.0	500	0.5	20	1.25	-30 to +70	100	19X27X7.7
*CID03070420G-XX	3.0-7.0	200	0.4	20	1.25	-40 to +75	5	12.7X12.7X6.4
*CID03070518G-XX	3.0-7.0	500	0.5	18	1.30	-40 to +75	5	12.7X12.7X6.4
*CID03030323G	3.4-3.6	-	0.3	23	1.20	-40 to +85	100	CB03
*CID03030323G1	3.4-3.6	-	0.3	23	1.20	-40 to +85	50	CB04
*CID03030420G	3.4-3.6	-	0.4	20	1.25	-40 to +85	10	CB05
*CID03060325G-XX	3.5-6.5	300	0.3	25	1.20	-40 to +75	10	16X26X10.5
*CID03060423G-XX	3.5-6.5	600	0.4	23	1.20	-40 to +75	10	16X26X10.5
*CID03060550G-XX	3.5-6.5	300	0.5	50	1.20	-40 to +75	10	32X26X10.5
*CID04080323S-XX	4.0-8.0	400	0.3	23	1.20	-40 to +70	10	16X23X9.7
*CID04080325S-XX	4.8-8.5	400	0.3	25	1.20	-40 to +70	10	12X20X9.5
*CID05080325G-XX	5.0-8.0	300	0.3	25	1.20	-40 to +75	10	12X20X6
*CID05080423G-XX	5.0-8.0	600	0.4	23	1.20	-40 to +75	10	12X20X6
*CID07180325GH-XX	7.0-18	300	0.3	25	1.20	-40 to +75	10	12X20X9.5



Drop-in Isolators and Circulators

Model No.	Frequency Range (GHz)	Band Width (MHz)	Insertion Loss (dB Max)	Isolation (dB Min)	VSWR (Max)	Operating Temp. Range (°C)	Power (W)	Size LXWXH (mm)
*CID07180423GH-XX	7.0-18	1000	0.4	23	1.20	-40 to +75	10	12X20X9.5
*CID07180325G1-XX	7.0-18	300	0.3	25	1.20	-40 to +75	5	8.9x15x7.7
*CID07180423G1-XX	7.0-18	1000	0.4	23	1.20	-40 to +75	5	8.9x15x7.7
*CID07180550G-XX	7.0-18	500	0.5	50	1.20	-40 to +75	5	17.8X15.X7.8
*CID08160423S-XX	8.0-16	800	0.4	23	1.25	-40 to +70	10	9X16X6.8
*CID08100423G	8.7-10.4	-	0.4	23	1.20	-40 to +85	10	CB08
*CID09180423G-XX	9.0-18	100	0.4	23	1.20	-40 to +75	5	6.5X12.7X6.8
*CID10100323G	10.1-10.7	-	0.3	23	1.20	-40 to +85	10	CB08
*CID11120423G	11-12	-	0.4	23	1.20	-40 to +85	10	CB08
CID12180717R	12-18	Full	0.7	17	1.35	-40 to +75	5	12X15X7.5
*CID12200423S-XX	12-20	1200	0.4	23	1.25	-40 to +70	10	6X12.7X7.2
*CID12130423G	12.75-13.25	-	0.4	23	1.20	-40 to +85	10	CB08
*CID14150420G	14.25-15.35	-	0.4	20	1.25	-40 to +85	10	CB08
*CID16180520G	16.8-18	-	0.5	20	1.30	-40 to +85	10	CB08
*CID17190520G	17.7-19.7	-	0.5	20	1.30	-40 to +85	10	CB08
*CID18230718G-XX	18-23	1000	0.75	18	1.35	-40 to +75	5	6.35X12.7X4.5
*CID23240620G	23.5-24.5	-	0.60	20	1.30	-40 to +85	10	CB09

OTHER FREQUENCY BANDS ARE ALSO AVAILABLE.

*THE SPECIFICATIONS FOR THESE MODELS ARE ONLY FOR THE SPECIFIED FREQUENCY BW.

HIGH PERFORMANCE DROP-IN ISOLATORS

Low IMD series:

Remarks: IMD(2x45dBm, 5MHz Separation)

Model No.	Frequency Range (GHz)	Band Width (MHz)	Insertion Loss (dB Max)	Isolation (dB Min)	VSWR (Max)	IMD (dBc)	Operating Temp. Range (°C)	Power (W)	Size LXWXH (mm)
*CIDU8U80323G2	0.82-0.84	-	0.3	23	1.20	-80	-40 to +85	100	CH36
*CIDU8U80323G3	0.86-0.89	-	0.3	23	1.20	-80	-40 to +85	100	CH36
*CIDU8U90323G1	0.89-0.91	-	0.3	23	1.20	-80	-40 to +85	100	CH36
*CIDU9U90323G1	0.93-0.96	-	0.3	23	1.20	-80	-40 to +85	100	CH36
*CID01010323G	1.71-1.78	-	0.3	23	1.20	-80	-40 to +85	100	CH36
*CID01010323G1	1.80-1.88	-	0.3	23	1.20	-80	-40 to +85	100	CH36
*CID01010323G2	1.85-1.91	-	0.3	23	1.20	-80	-40 to +85	100	CH36



Drop-in Isolators and Circulators

Model No.	Frequency Range (GHz)	Band Width (MHz)	Insertion Loss (dB Max)	Isolation (dB Min)	VSWR (Max)	IMD (dBc)	Operating Temp. Range (°C)	Power (W)	Size LXWXH (mm)
*CID01010323G3	1.93-1.99	-	0.3	23	1.20	-80	-40 to +85	100	CH36
*CID02020323G	2.01-2.02	-	0.3	23	1.20	-80	-40 to +85	100	CH36
*CID02020323G1	2.11-2.17	-	0.3	23	1.20	-80	-40 to +85	100	CH36

HIGH PERFORMANCE DROP-IN ISOLATORS

Low IMD series:

Remarks: IMD(2x43dBm, 5MHz Separation)

Model No.	Frequency Range (GHz)	Band Width (MHz)	Insertion Loss (dB Max)	Isolation (dB Min)	VSWR (Max)	IMD (dBc)	Operating Temp. Range (°C)	Power (W)	Size LXWXH (mm)
*CID01010321G	1.71-1.78	-	0.3	21	1.20	-80	-40 to +85	50	CH37
*CID01010321G1	1.80-1.88	-	0.3	21	1.20	-80	-40 to +85	50	CH37
*CID01010321G2	1.85-1.91	-	0.3	21	1.20	-80	-40 to +85	50	CH37
*CID01010321G3	1.93-1.99	-	0.3	21	1.20	-80	-40 to +85	50	CH37
*CID02020321G	2.01-2.02	-	0.3	21	1.20	-80	-40 to +85	50	CH37
*CID02020321G1	2.11-2.17	-	0.3	21	1.20	-80	-40 to +85	100	CH37

ROUND BODY ISOLATORS:

Model No.	Frequency Range (GHz)	Band Width (MHz)	Insertion Loss (dB Max)	Isolation (dB Min)	VSWR (Max)	Operating Temp. Range (°C)	Power (W)	Size LXWXH (mm)
*CID08100420GR	8.8-10.2	Full	0.4	20	1.20	-30 to +70	10	Φ6.35

OTHER FREQUENCY BANDS ARE ALSO AVAILABLE.

*THE SPECIFICATIONS FOR THESE MODELS ARE ONLY FOR THE SPECIFIED FREQUENCY BW.



Drop-in Isolators and Circulators

CIRCULATORS:

Model No.	Frequency Range (GHz)	Band Width (MHz)	Insertion Loss (dB Max)	Isolation (dB Min)	VSWR (Max)	Operating Temp. Range (°C)	Power (W)	Size LXWXH (mm)
*CCDU4U50323G-XX	0.4-0.5	30	0.3	23	1.20	-15 to +60	150	44X45.5X15.6
*CCDU4U50323S-XX	0.4-0.5	40	0.3	23	1.20	-40 to +70	-	40X40.5X13.5
*CCDU4U60323G-XX	0.4-0.6	10	0.3	23	1.20	-15 to +60	150	35X38X13
*CCDU4U40323G	0.45-0.47	-	0.3	23	1.20	-40 to +85	150	CD07
*CCDU6U80323G-XX	0.6-0.8	30	0.3	23	1.20	-30 to +70	150	35X38X13
*CCDU6U80420G	0.69-0.80	-	0.4	20	1.25	-40 to +85	150	CD07
*CCDU7010323S-XX	0.7-1.0	70	0.3	23	1.20	-40 to +70	-	30X32.5X12.2
*CCDU8010323G-XX	0.8-1.2	25	0.35	23	1.20	-30 to +70	30	20X20X8.5
*CCDU8020323G-XX	0.8-2.0	70	0.3	23	1.20	-30 to +70	100	25.4X25.4X10
*CCDU8020520G-XX	0.8-2.0	200	0.5	20	1.25	-30 to +70	100	25.4X25.4X10
*CCDU8U80225GH-XX	0.82-0.83	-	0.25	28	1.15	-40 to +85	150	CH23
*CCDU8U80225G	0.82-0.84	-	0.25	25	1.20	-40 to +85	150	CD01
*CCDU8U80323G	0.82-0.84	-	0.35	23	1.20	-40 to +85	50	CD02
*CCDU8U80225G1	0.86-0.89	-	0.25	25	1.20	-40 to +85	150	CD01
*CCDU8U80323G1	0.86-0.89	-	0.35	23	1.20	-40 to +85	50	CD02
*CCDU8U80228GH-XX	0.87-0.88	-	0.25	28	1.15	-40 to +85	150	CH23
*CCDU8U90228GH-XX	0.89-0.90	-	0.25	28	1.15	-40 to +85	150	CH23
*CCDU8U90225G	0.89-0.91	-	0.25	25	1.20	-40 to +85	150	CD01
*CCDU8U90323G	0.89-0.91	-	0.35	23	1.20	-40 to +85	50	CD02
*CCDU9020323S-XX	0.9-2.3	90	0.3	23	1.20	-40 to +70	-	25.4X27X10.5
*CCDU9U90228GH-XX	0.93-0.95	-	0.25	28	1.15	-40 to +85	150	CH23
*CCDU9U90225G	0.93-0.96	-	0.25	25	1.20	-40 to +85	150	CD01
*CCDU9U90323G	0.93-0.96	-	0.35	23	1.20	-40 to +85	150	CD02
*CCD01020323S-XX	1.5-2.5	40	0.35	23	1.20	-20 to +80	-	19X19X8.7
*CCD01010223G	1.71-1.78	-	0.25	23	1.20	-40 to +85	150	CD01
*CCD01010323G	1.71-1.78	-	0.3	23	1.20	-40 to +85	100	CD03
*CCD01010225G	1.75-1.78	-	0.25	25	1.20	-40 to +85	150	CD01
*CCD01010325G	1.75-1.78	-	0.3	25	1.20	-40 to +85	100	CD03
*CCD01010223G1	1.8-1.88	-	0.25	23	1.20	-40 to +85	150	CD01
*CCD01010323G1	1.8-1.88	-	0.3	23	1.20	-40 to +85	100	CD03
*CCD01030223G-XX	1.8-3.8	70	0.25	23	1.20	-30 to +70	100	19X19X8
*CCD01030520G-XX	1.8-3.8	200	0.5	20	1.25	-30 to +70	100	19X19X8
*CCD01010225G1	1.85-1.88	-	0.25	25	1.20	-40 to +85	150	CD01



Drop-in Isolators and Circulators

Model No.	Frequency Range (GHz)	Band Width (MHz)	Insertion Loss (dB Max)	Isolation (dB Min)	VSWR (Max)	Operating Temp. Range (°C)	Power (W)	Size LXWXH (mm)
*CCD01010325G1	1.85-1.88	-	0.3	25	1.20	-40 to +85	100	CD03
*CCD01010323G2	1.85-1.91	-	0.3	23	1.20	-40 to +85	100	CD03
*CCD01010225G2	1.88-1.92	-	0.25	25	1.20	-40 to +85	150	CD01
*CCD01010325G2	1.88-1.92	-	0.3	25	1.20	-40 to +85	100	CD03
*CCD01010325G3	1.88-1.92	-	0.3	25	1.20	-40 to +85	100	CD04
*CCD01010323G5	1.88-1.92	-	0.35	23	1.20	-40 to +85	30	CD05
*CCD01010225G3	1.92-1.98	-	0.25	25	1.20	-40 to +85	150	CD01
*CCD01010325G4	1.92-1.98	-	0.30	25	1.20	-40 to +85	100	CD03
*CCD01010223G2	1.93-1.99	-	0.25	23	1.20	-40 to +85	150	CD01
*CCD01010323G3	1.93-1.99	-	0.30	23	1.20	-40 to +85	100	CD03
*CCD02030325S-XX	2.0-3.2	200	0.3	25	1.20	-40 to +70	-	22X27X10.5
*CCD02020225G	2.01-2.025	-	0.25	25	1.20	-40 to +85	150	CD01
*CCD02020325G	2.01-2.025	-	0.30	25	1.20	-40 to +85	100	CD03
*CCD02020325G1	2.01-2.025	-	0.30	25	1.20	-40 to +85	100	CD04
*CCD02020323G	2.01-2.025	-	0.30	23	1.20	-40 to +85	30	CD05
*CCD02020225GH	2.01-2.05	-	0.25	25	1.15	-40 to +85	100	CH24
*CCD02040325S-XX	2.1-4.5	200	0.3	25	1.20	-40 to +70	-	18X23.5X10.5
*CCD02020225G1	2.11-2.17	-	0.25	25	1.20	-40 to +85	150	CD01
*CCD02020325G1	2.11-2.17	-	0.30	25	1.20	-40 to +85	100	CD03
*CCD02020323G1	2.3-2.4	-	0.3	23	1.20	-40 to +85	100	CD03
*CCD03060323G-XX	3.0-6.0	300	0.3	23	1.20	-30 to +70	20	19X19X7.7
*CCD03030323G	3.4-3.6	-	0.3	23	1.20	-40 to +85	100	CD03
*CCD03030420G	3.4-3.6	-	0.4	20	1.25	-40 to +85	10	CD06
*CCD03060323G-XX	3.5-6.5	300	0.3	23	1.20	-40 to +75	20	16X22X10.5
*CCD03060420G-XX	3.5-6.5	600	0.4	20	1.20	-40 to +75	20	16X22X10.5
*CCD04080323S-XX	4.0-8.0	400	0.3	23	1.2	-40 to +70	-	16X23X9.7
*CCD04080520G-XX	4.4-8.0	600	0.5	20	1.25	-40 to +75	10	12.7X12.7X6
*CCD07180420G-XX	7.0-18.0	1000	0.4	20	1.20	-40 to +75	10	12.7X17X8
*CCD08100420G	8.7-10.4	-	0.4	20	1.25	-40 to +85	10	CD08
*CCD08160423S-XX	8.0-16	800	0.4	23	1.25	-40 to +70	-	10X13.5X6.8
*CCD08180323G-XX	8.0-18	300	0.3	23	1.20	-40 to +75	10	8.9X12.5X7.7
*CCD10100323G	10.1-10.7	-	0.3	23	1.20	-40 to +85	10	CD08
*CCD11120423G	11-12	-	0.4	23	1.20	-40 to +85	10	CD08
*CCD12200423S-XX	12-20	1200	0.4	23	1.25	-40 to +70	-	6X12.7X7.2



Drop-in Isolators and Circulators

Model No.	Frequency Range (GHz)	Band Width (MHz)	Insertion Loss (dB Max)	Isolation (dB Min)	VSWR (Max)	Operating Temp. Range (°C)	Power (W)	Size LXWXH (mm)
*CCD12130423G	12.75-13.25	-	0.4	23	1.20	-40 to +85	10	CD08
*CCD14150420G	14.25-15.35	-	0.4	20	1.25	-40 to +85	10	CD08
*CCD16180520G	16.8-18	-	0.5	20	1.30	-40 to +85	10	CD08
*CCD17190618G	17.7-19.7	-	0.6	18	1.30	-40 to +85	10	CD08
*CCD18220618G-XX	18-22	1000	0.6	18	1.35	-40 to +75	10	12X15X11
*CCD23240618G	23.5-24.5	-	0.6	18	1.30	-40 to +85	10	CD09

OTHER FREQUENCY BANDS ARE ALSO AVAILABLE.

*THE SPECIFICATIONS FOR THESE MODELS ARE ONLY FOR THE SPECIFIED FREQUENCY BW.

HIGH PERFORMANCE DROP-IN CIRCULATORS

Low IMD series:

Remarks: IMD(2x45dBm, 5MHz Separation)

Model No.	Frequency Range (GHz)	Band Width (MHz)	Insertion Loss (dB Max)	Isolation (dB Min)	VSWR (Max)	IMD (dBc)	Operating Temp. Range (°C)	Power (W)	Size LXWXH (mm)
*CCDU8U80323G2	0.82-0.84	-	0.30	23	1.20	-80	-40 to +85	100	CH23
*CCDU8U80323G3	0.86-0.89	-	0.30	23	1.20	-80	-40 to +85	100	CH23
*CCDU8U90323G1	0.89-0.91	-	0.3	23	1.20	-80	-40 to +85	100	CH23
*CCDU9U90323G1	0.93-0.96	-	0.3	23	1.20	-80	-40 to +85	100	CH23
*CCD01010323G1	1.71-1.78	-	0.3	23	1.20	-80	-40 to +85	100	CH23
*CCD01010323G2	1.8-1.88	-	0.3	23	1.20	-80	-40 to +85	100	CH23
*CCD01010323G4	1.85-1.91	-	0.3	23	1.20	-80	-40 to +85	100	CH23
*CCD01010323G6	1.93-1.99	-	0.3	23	1.20	-80	-40 to +85	100	CH23
*CCD02020323G2	2.01-2.025	-	0.30	23	1.20	-80	-40 to +85	100	CH23
*CCD02020323G7	2.11-2.17	-	0.30	23	1.20	-80	-40 to +85	100	CH23



Drop-in Isolators and Circulators

HIGH PERFORMANCE DROP-IN CIRCULATORS

Low IMD series:

Remarks:IMD(2x43dBm, 5MHz Separation)

Model No.	Frequency Range (GHz)	Band Width (MHz)	Insertion Loss (dB Max)	Isolation (dB Min)	VSWR (Max)	IMD (dBc)	Operating Temp. Range (°C)	Power (W)	Size LXWXH (mm)
*CCD01010321G	1.71-1.78	-	0.3	21	1.20	-80	-40 to +85	50	CH38
*CCD01010321G1	1.8-1.88	-	0.3	21	1.20	-80	-40 to +85	50	CH38
*CCD01010321G2	1.85-1.91	-	0.3	21	1.20	-80	-40 to +85	50	CH38
*CCD01010321G3	1.93-1.99	-	0.3	21	1.20	-80	-40 to +85	50	CH38
*CCD02020321G4	2.01-2.025	-	0.30	21	1.20	-80	-40 to +85	50	CH38
*CCD02020321G5	2.11-2.17	-	0.30	21	1.20	-80	-40 to +85	50	CH38

HIGH PERFORMANCE DROP-IN CIRCULATORS

Low IMD series:

Remarks:IMD(2x33dBm, 5MHz Separation)

Model No.	Frequency Range (GHz)	Band Width (MHz)	Insertion Loss (dB Max)	Isolation (dB Min)	VSWR (Max)	IMD (dBc)	Operating Temp. Range (°C)	Power (W)	Size LXWXH (mm)
*CCD02020323G6	2.01-2.025	-	0.30	23	1.20	-80	-40 to +85	50	CH24

ROUND BODY CIRCULATORS:

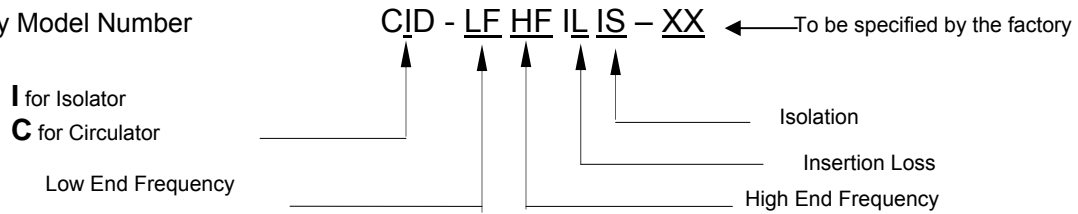
Model No.	Frequency Range (GHz)	Band Width (MHz)	Insert.Loss (dB Max)	Isolation (dB Min)	VSWR (Max)	Operating Temp. Range (°C)	Power (W)	Size LXWXH (mm)
*CCDU9U90322GR	0.902-0.908	Full	0.3	22	1.20	-30 to +70	100	Φ23.1
*CCD08100420GR	8.8-10.2	Full	0.4	20	1.20	-30 to +70	10	Φ6.35

OTHER FREQUENCY BANDS ARE ALSO AVAILABLE.

*THE SPECIFICATIONS FOR THESE MODELS ARE ONLY FOR THE SPECIFIED FREQUENCY BW.

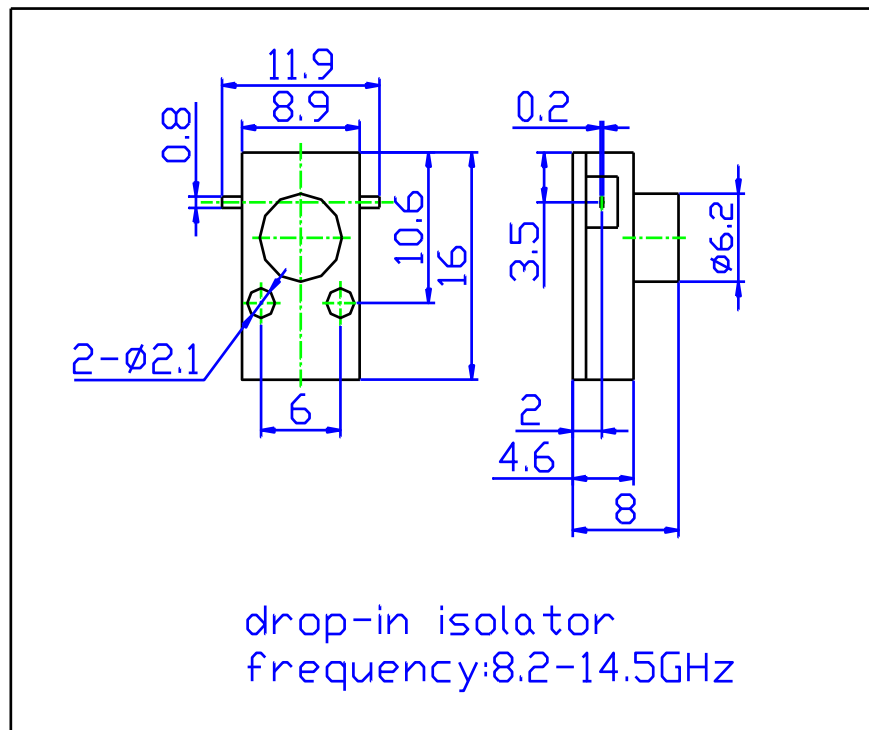
HOW TO ORDER CUSTOM PARTS:

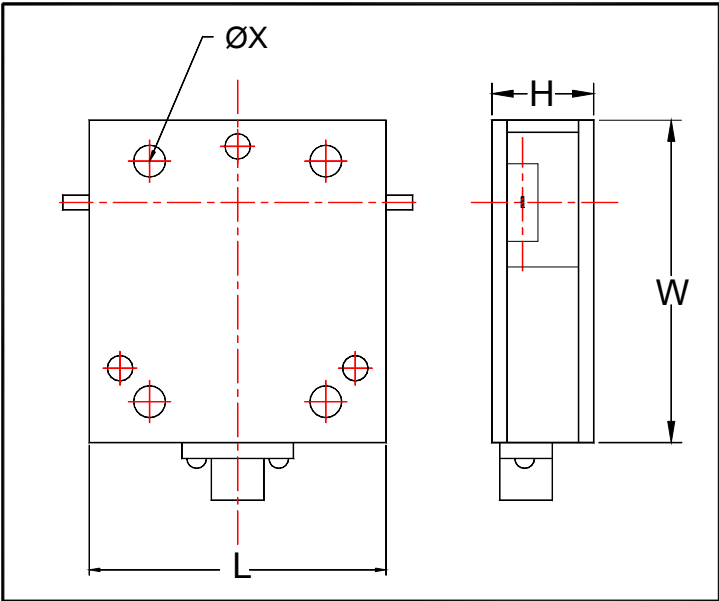
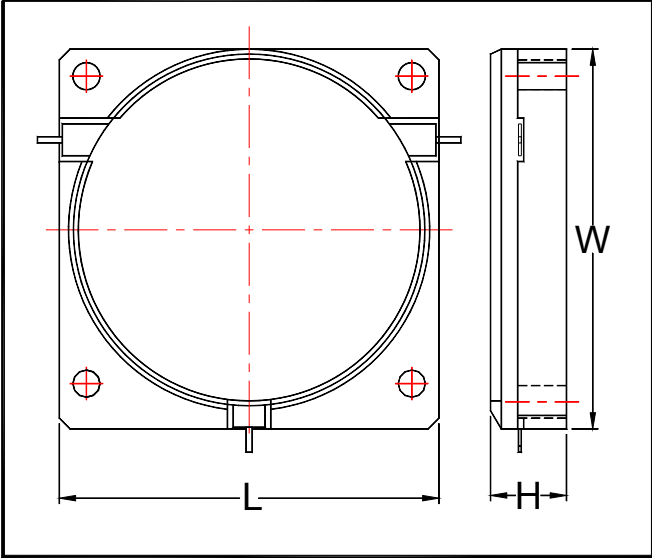
Specify Model Number



Example: To order a 1.8-2.0 GHz isolator with 0.3 dB maximum insertion loss and 20 dB minimum isolation and, specify CID-01020320-XX.

CERNEX RESERVE THE RIGHT TO CHANGE THE SPECIFICATIONS WITHOUT NOTICE





CERNEX, Inc.

Drop-in Isolators and Circulators

