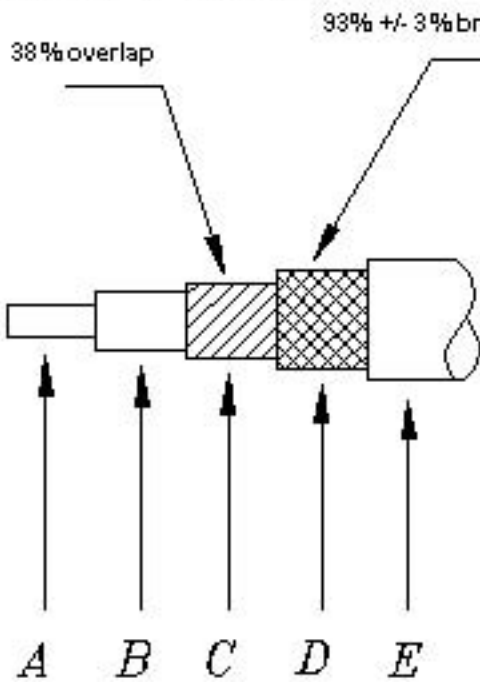


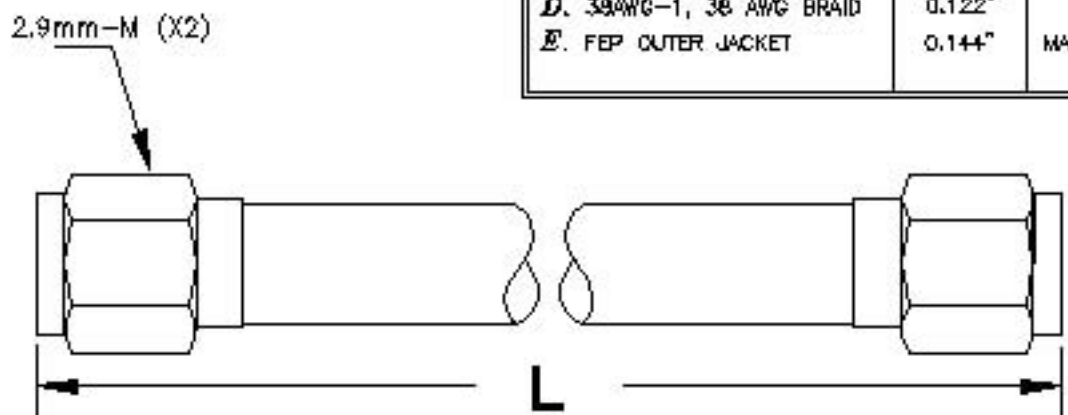
APPLICATION			REVISIONS		
NEXT ASSY	USED ON	REV	DESCRIPTION	DATE	APPROVED



CABLE SPECIFICATIONS

- IMPEDENCE: 50 +/- 2 OHMS
- VELOCITY OF PROPAGATION: 84%
- TIME DELAY: 1.2 nS/FOOT
- CAPACITANCE: 24 pF/FOOT
- CUT OFF FREQUENCY: 45GHZ
- RF LEAKAGE: > 100dB TO 18GHZ
- TEMPERATURE RANGE: -65°C TO +200°C
- MINIMUM BEND RADIUS: 0.75"
- WEIGHT: 2.2 LB S/100'
- Attenuation: $10.7 \sqrt{f} + 0.18f$ dB/100ft**

MATERIALS	DIAMETER	
A. 19AWG-1, SPC CONDUCTOR	0.038"	
B. 150CORE, EPTFE dielectric	0.104"	
C. 1/8 SILVER FOIL	0.108"	
D. 38AWG-1, 38 AWG BRAID	0.122"	
E. FEP OUTER JACKET	0.144"	MAX



UNLESS OTHERWISE SPECIFIED:
 DIMENSIONS ARE IN INCHES
 TOLERANCES
 DECIMALS ANGULAR
 XX ± .01 ±
 .00X & .00X ±
 FINISH
 DO NOT SCALE DRAWING

DRAWN		DATE
CHECK		
PREP. DATE		DATE
MFR. CODE		
QA DATE		
FILE DATE		

CERNEX INC.			
TITLE 2.92mm CONNECTOR CABLE ASSEMBLY			
SIZE A	FORM NO.	DWG NO K501	REV A
SCALE N/A	WEIGHT	SHEET 1 OF 1	