

**SERIES TNC-75**  
RF COAXIAL CONNECTORS



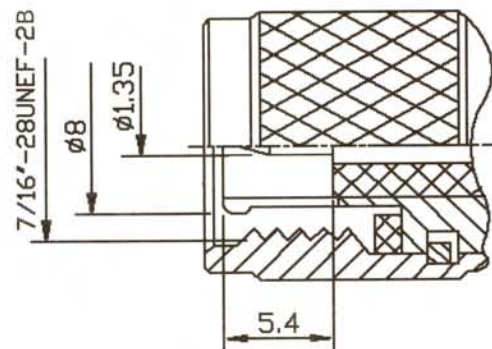
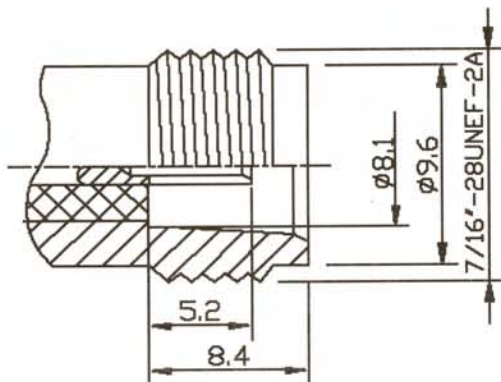
**Key performance**

- Characteristic Impedance : 75  $\Omega$
- Frequency range : 0~2GHz
- Contact resistance :
  - Center conductor  $\leq 2.0m \Omega$
  - Out conductor  $\leq 0.2m \Omega$
- Insulation resistance :  $\geq 5000M \Omega$
- Insulator voltage withstanding : 1500V
- VSWR :  $\leq 1.30$
- Connector durability : 500 cycles

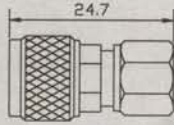
**Applicable spec/std** : MIL-C-39012

**Material**

- Center contacts:
  - Male---brass, gold plated.
  - Female---phosphor bronze, gold plated
- Bodies and other metal parts:
  - brass, nickel plated
- Insulators: TFE
- Crimp ferrule: copper, nickel plated.
- Gasket and seal rings: silicone rubber
- Heat-shrink tubing: thermofit plastic.

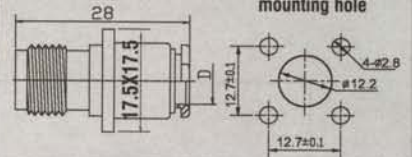


TNC-75J3 ...



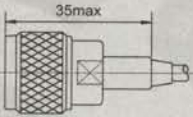
Type	Cable code
TNC-75J3	3
TNC-75J12	5

TNC-75KF3 ...



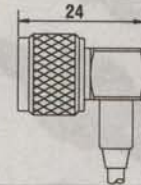
Type	Cable type	D
TNC-75KF3	3	φ3.0
TNC-75KF12	5	φ5.3

TNC-75J3Y ...



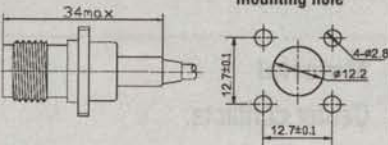
Type	Cable type
TNC-75J3Y	3
TNC-75J12Y	5

TNC-75JW3 ...



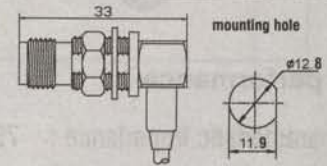
Type	Cable type
TNC-75JW3Y	3
TNC-75JW12Y	5

TNC-75KF3



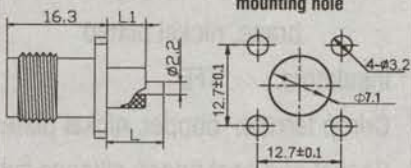
Type	Cable type
TNC-75KF3Y	3
TNC-75KF12Y	5

TNC-75KYW3Y ...



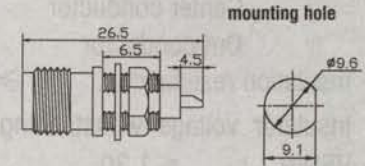
Type	Cable type
TNC-75KYW3Y	3
TNC-75KYW12Y	5

TNC-75KFD1 ...



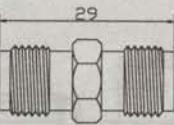
Type	L	L1
TNC-75KFD1	8.0	6.5
TNC-75KFD2	9.5	6.5

TNC-75KY



Type	Cable type
TNC-75KYW3Y	3
TNC-75KYW12Y	5

TNC-75KK



TNC-75KFK

