

## SERIES TNC RF COAXIAL CONNECTORS

TNC series are thread coupling connectors usable up to 11GHz. This coupling method improves the stability of the mating surfaces and allows TNC connectors to be used in vibration conditions not suitable for BNC connectors.



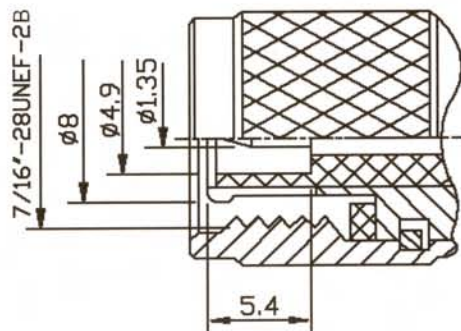
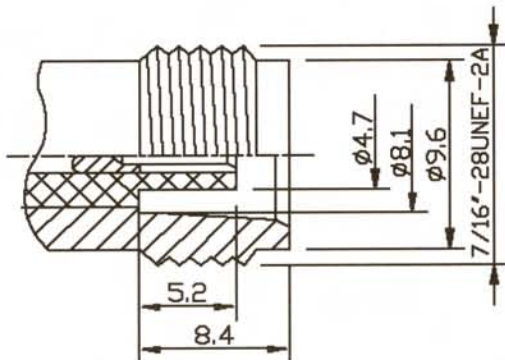
**Key performance**

- Characteristic Impedance : 50 Ω
- Frequency range : 0~11GHz
- Contact resistance :
  - Center conductor ≤2.0m Ω
  - Out conductor ≤0.2m Ω
- Insulation resistance : ≥ 5000M Ω
- Insulator voltage withstanding : 1500V
- VSWR : ≤1.30
- Connector durability : 500 cycles

**Applicable spec/std** : MIL-C-39012

**Material**

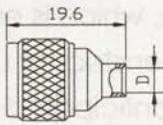
- Center contacts:
  - Male---brass, gold plated.
  - Female---phosphor bronze, gold plated
- Bodies and other metal parts:
  - brass, nickel plated
- Insulators: TFE
- Crimp ferrule: copper, nickel plated.
- Gasket and seal rings: silicone rubber
- Heat-shrink tubing: thermofit plastic.



TNC-JB2 TNC-JB3



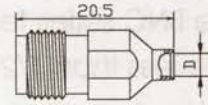
Type	Cable code	D
TNC-JB2	B2	Φ2.2
TNC-JB3	B3	Φ3.6



TNC-KB2 TNC-KB3



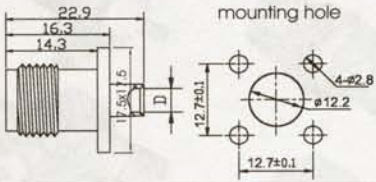
Type	Cable code	D
TNC-KB2	B2	Φ2.2
TNC-KB3	B3	Φ3.6



TNC-KFB2 TNC-KFB3



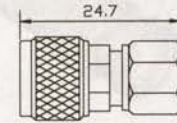
Type	Cable code	D
TNC-KB2	B2	Φ2.2
TNC-KB3	B3	Φ3.6



TNC-J3 TNC-J5



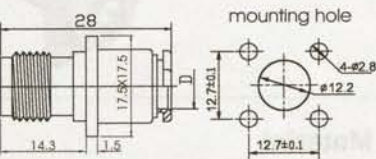
Type	Cable code
TNC-J3	3
TNC-J5	5



TNC-KF3 TNC-KF5



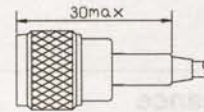
Type	Cable type	D
TNC-KF3	3	Φ3.0
TNC-KF5	5	Φ5.3



TNC-J3Y TNC-J5Y



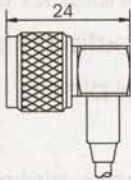
Type	Cable type
TNC-J3Y	3
TNC-J5Y	5



TNC-JW3Y TNC-JW5Y



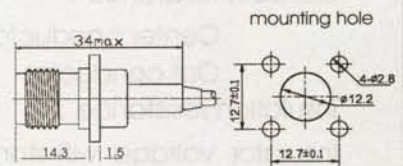
Type	Cable type
TNC-JW3Y	3
TNC-JW5Y	5



TNC-KF3Y TNC-KF5Y



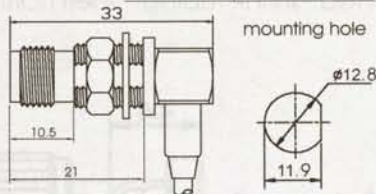
Type	Cable type
TNC-KF3Y	3
TNC-KF5Y	5



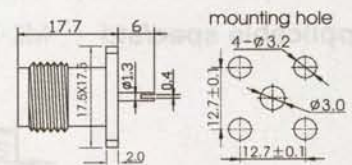
TNC-KYW3Y TNC-KYW5Y



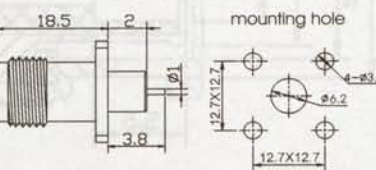
Type	Cable type
TNC-KYW3Y	3
TNC-KYW5Y	5



TNC-KFD



TNC-KFD1



TNC-KY

