

# SERIES MMCX

## RF COAXIAL CONNECTORS

MMCX connectors are intended for use when the smallest possible physical size is required. The non-slotted etc. outer contact provides low R.F. leakage while the snap-on coupling mechanism ensures that the electrical parameters are reproduced at every mating.

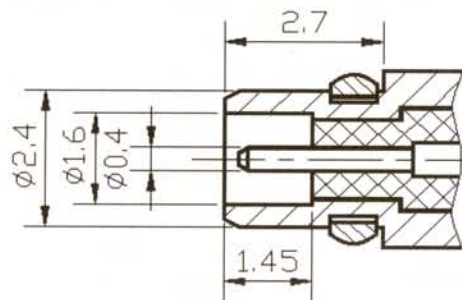
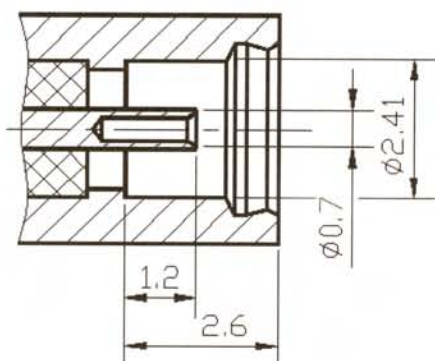


### Key performance

- Characteristic Impedance :  $50 \Omega$
- Frequency range : 0~6 GHz
- Contact resistance :
  - Center conductor  $\leq 10.0m \Omega$
  - Out conductor  $\leq 5.0m \Omega$
- Insulation resistance :  $\geq 500M \Omega$
- Insulator voltage withstanding : 500V
- VSWR :  $\leq 1.25$
- Connector durability : 500 cycles

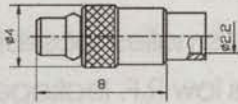
### Material

- Center contacts:
  - Male---brass, gold plated.
  - Female---beryllium copper, gold plated
- Bodies and other metal parts:
  - brass, gold plated
- Insulators: TFE
- Crimp ferrule: copper, nickel plated.
- Gasket and seal rings: silicone rubber
- Heat-shrink tubing: thermofit plastic.



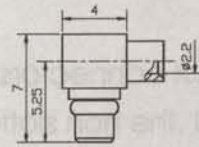
**MMCX-JB2**

Cable code: B2



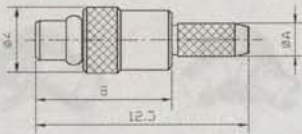
**MMCX-JWB2**

Cable code: B2



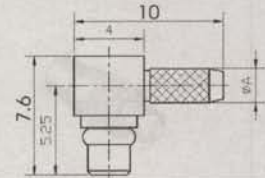
**MMCX-J2 MMCX-J3**

Type	Cable code	A
MMCX-J2	2	2.0
MMCX-J2	2	2.6



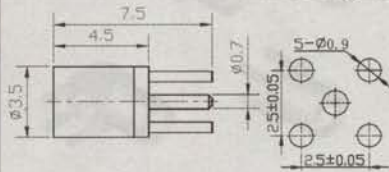
**MMCX-JW2 MMCX-JW3**

Type	Cable code	A
MMCX-JW2	2	2.0
MMCX-JW2	2	2.6



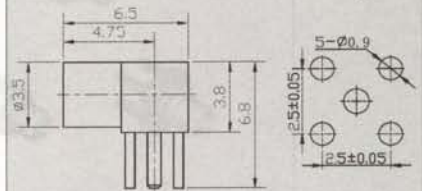
**MMCX-KHD**

mounting hole



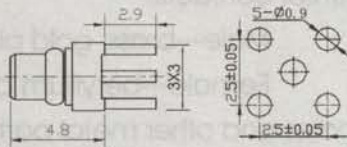
**MMCX-KWHD**

mounting hole



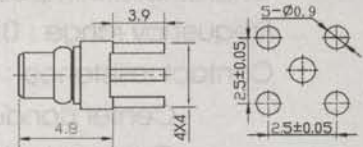
**MMCX-JHD**

mounting hole



**MMCX-JHD1**

mounting hole



Heat shrink tubing - thermally plastic.  
Gasket and seal rings - silicone rubber.  
Grip feature - copper, nickel plated.  
Insulation resistance:  $\geq 500M\Omega$   
Connector durability: 500 cycles  
VSWR:  $\leq 1.35$   
Isolation voltage withstanding: 600V

