

SERIES L29(7-16) RF COAXIAL CONNECTORS

The type L29(7-16) is a screw coupling unit designed specifically to handle high power while suppressing intermodulation products. The (7-16) connector is most widely used in communication systems such as mobile phone base stations and radio transceivers.



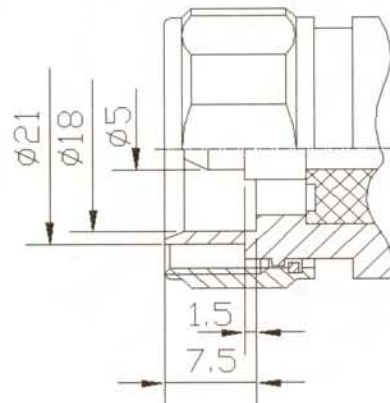
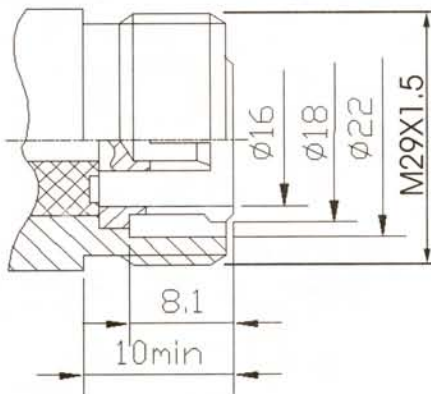
Key performance

- Characteristic Impedance : 50 Ω
- Frequency range : 0~7.5GHz
- Contact resistance :
 - Center conductor ≤1.0m Ω
 - Out conductor ≤0.5m Ω
- Insulation resistance : ≥10000M Ω
- Insulator voltage withstanding : 2700V
- VSWR : ≤1.25
- Connector durability : 500 cycles

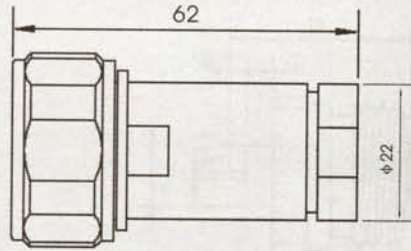
EApplicable spec/std : IEC169-4

Material

- Center contacts:
 - Male---brass, gold plated.
 - Female---phosphor, gold plated
- Bodies and other metal parts:
 - brass, nickel or silver plated
- Insulators: TFE
- Crimp ferrule: copper, nickel plated.
- Gasket and seal rings: silicone rubber
- Heat-shrink tubing: thermofit plastic.

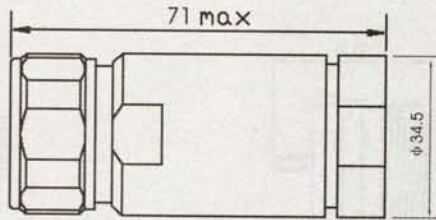


L29-J9...



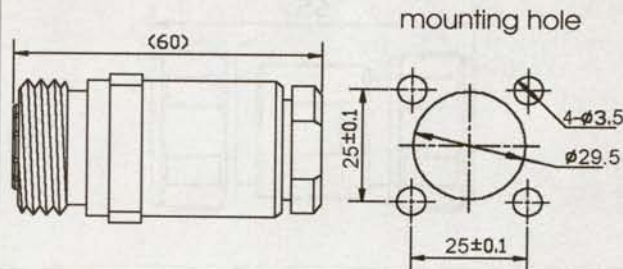
Type	Cable code
L29-J8A	8
L29-J9B	3/8" Ripple cable
L29-J9C	3/8" Ripple cable

L29-J235...



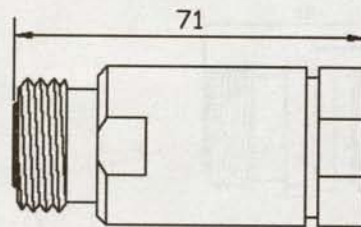
Type	Cable code
L29-J235	7/8" Ripple cable
L29-J234	5/8" Ripple cable

L29-KF9...



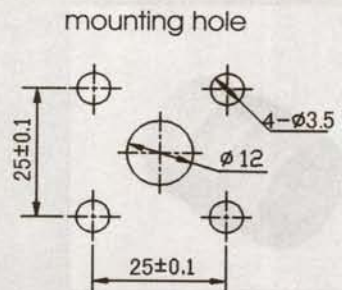
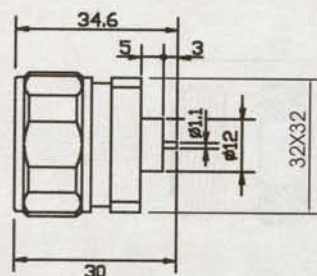
Type	Cable code
L29-KF9A	8
L29-KF9B	3/8" Ripple cable
L29-KF9C	3/8" Ripple cable
L29-KF234	5/8" Ripple cable

L29-K235 L29-K234

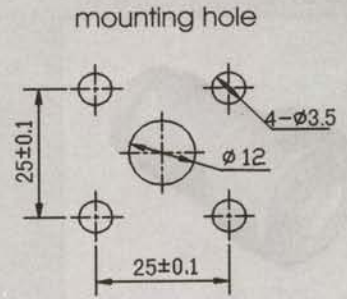
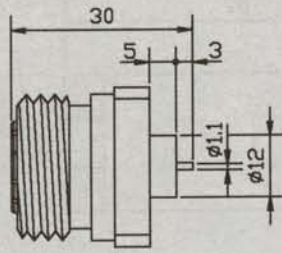
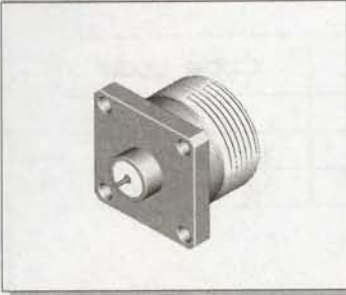


Type	Cable type
L29-K235	7/8" Ripple cable
L29-K234	5/8" Ripple cable

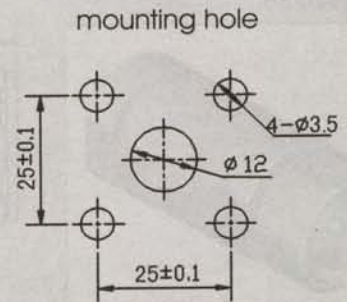
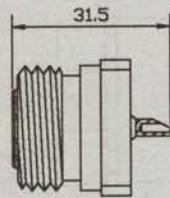
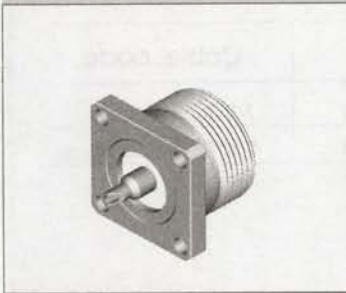
L29-JFD



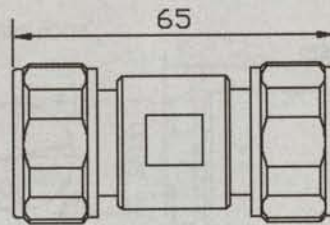
L29-KFD



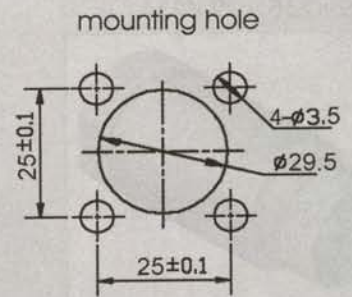
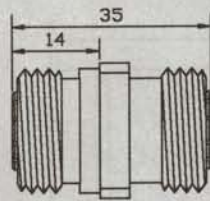
L29-KF



L29-JJ



L29-KFK



L29-KK

