

SERIES BMA RF COAXIAL CONNECTORS

These connectors are blind mating with slide-on insertion. BMA connectors are recommended for use in multiple mounting or rack and panel applications.



Key performance

Characteristic impedance: 50Ω

Frequency range: 0~22GHz

Contact resistance:

center conductor : $\leq 3.0m \Omega$

out conductor : $\leq 2.0m \Omega$

Insulation resistance : $\geq 5000M \Omega$

insulator voltage withstanding : 1500V

VSWR : ≤ 1.30

Connector durability : 500 cycles

Applicable spec/std: IEC1169-33

Material

Center contacts:

Male---brass, gold plated.

Female---beryllium copper, gold plated

Bodies and other metal parts:

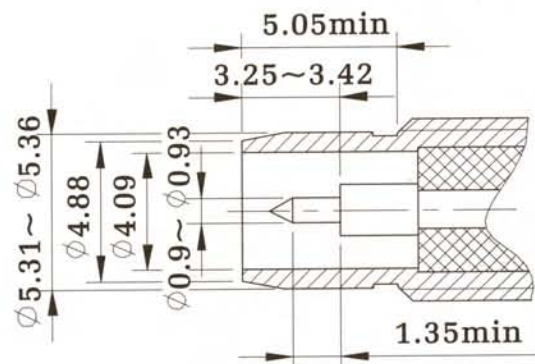
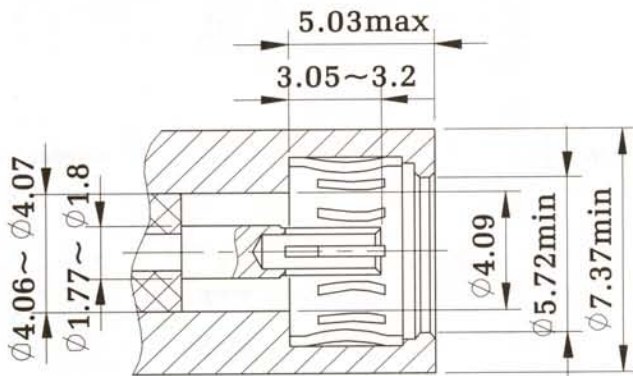
brass, gold plated

Insulators: TFE

Crimp ferrule: copper, nickel plated.

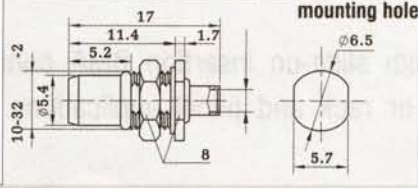
Gasket and seal rings: silicone rubber

Heat-shrink tubing: thermofit plastic.



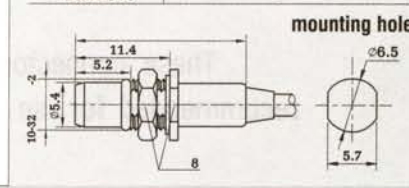
BMA-JYB2, BMA-JYB3

Type	D	Cable code
BMA-JYB2	Φ 2.2	B2
BMA-JYB3	Φ 3.6	B3



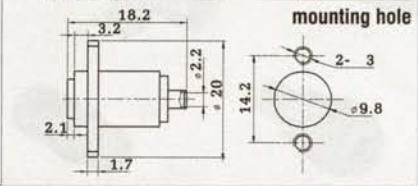
BMA-JY3, BMA-JY5

Type	Cable code
BMA-JY3	3
BMA-JY5	5



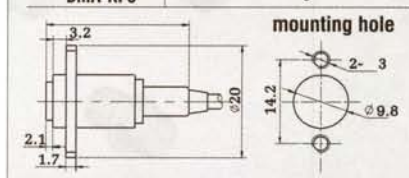
BMA-KFB2, BMA-KFB3

Type	D	Cable code
BMA-KFB2	Φ 2.2	B2
BMA-KFB3	Φ 3.6	B3



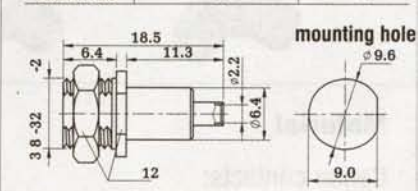
BMA-KF3, BMA-KF5

Type	Cable code
BMA-KF3	3
BMA-KF5	5



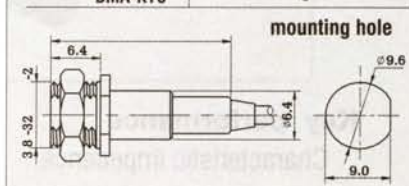
BMA-KYB2, BMA-KYB3

Type	D	Cable code
BMA-KYB2	Φ 2.2	B2
BMA-KYB3	Φ 3.6	B3

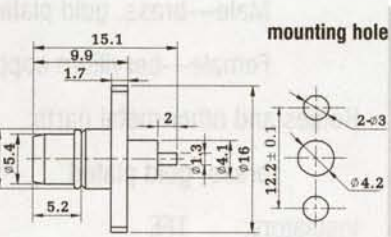


BMA-KY3, BMA-KY5

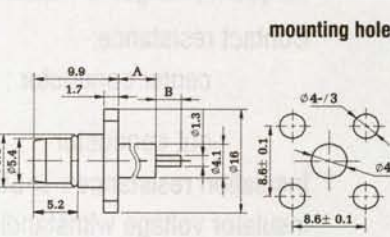
Type	Cable code
BMA-KY3	3
BMA-KY5	5



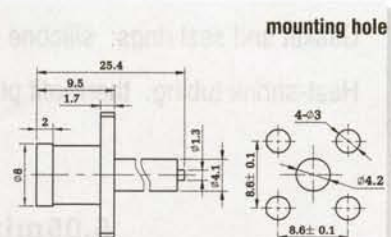
BMA-JFD



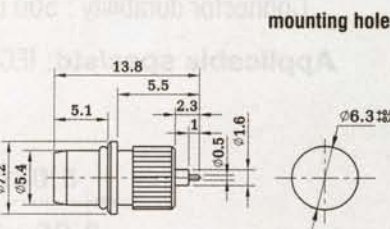
BMA-JFDI



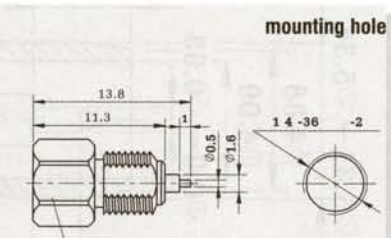
BMA-KFDI



BMA-JPD



BMA-KYD



BMA-JYDI

