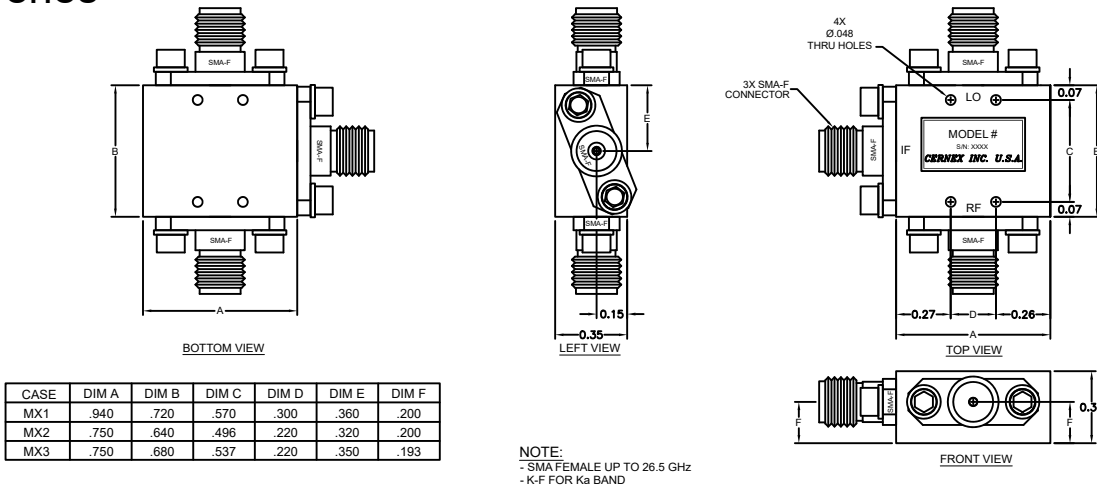
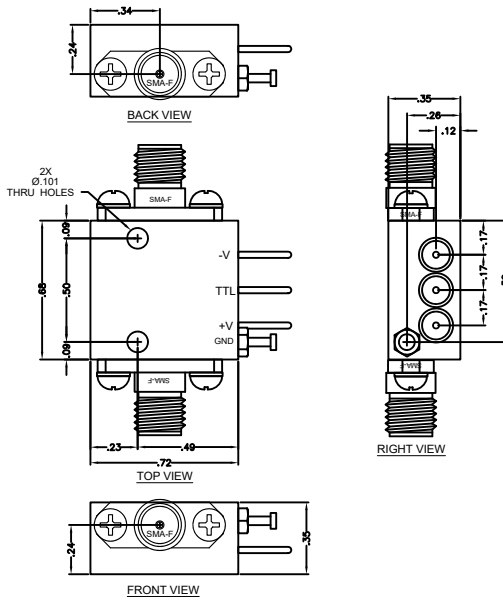


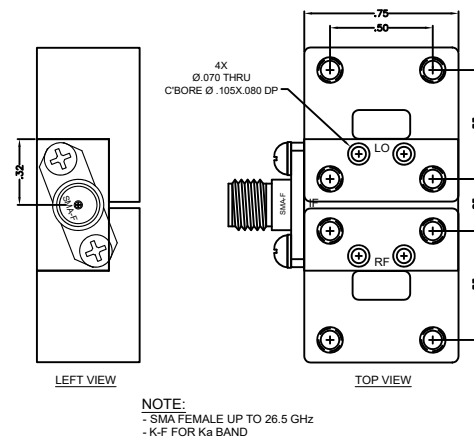
MX Series



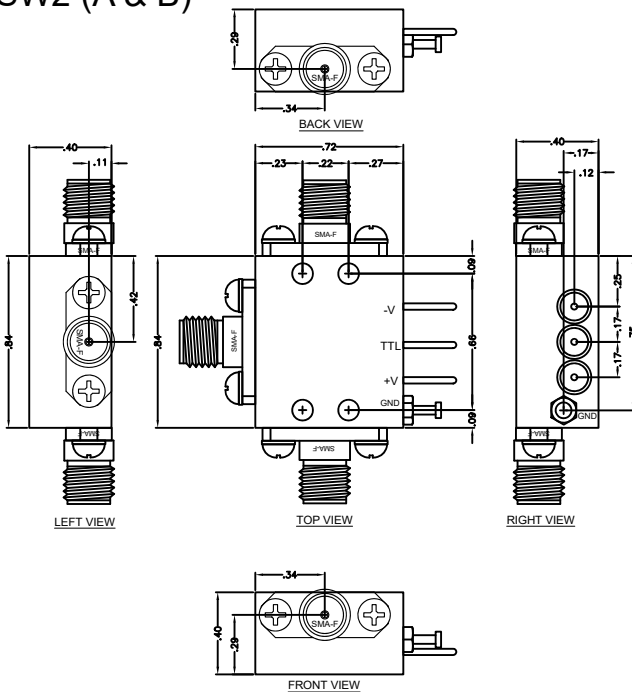
SW1



MX Series WITH WAVEGUIDE CONNECTOR



SW2 (A & B)



SW3

