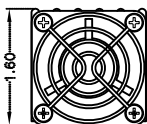
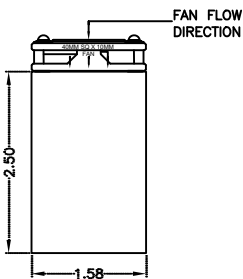


HEATSINK WITH FAN SERIES

PETIT HEATSINK

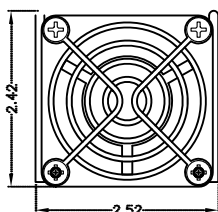


BACK VIEW

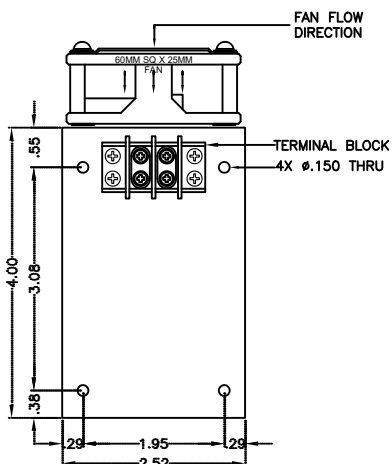


TOP VIEW

SMALL HEATSINK

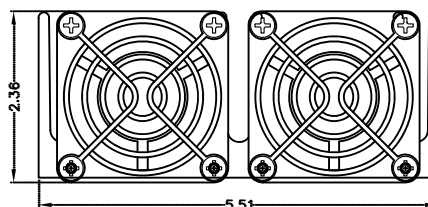


BACK VIEW

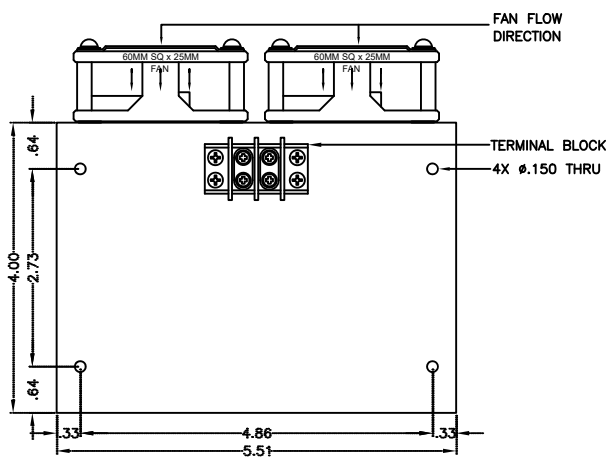


TOP VIEW

MEDIUM HEATSINK

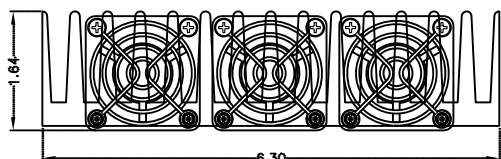


BACK VIEW

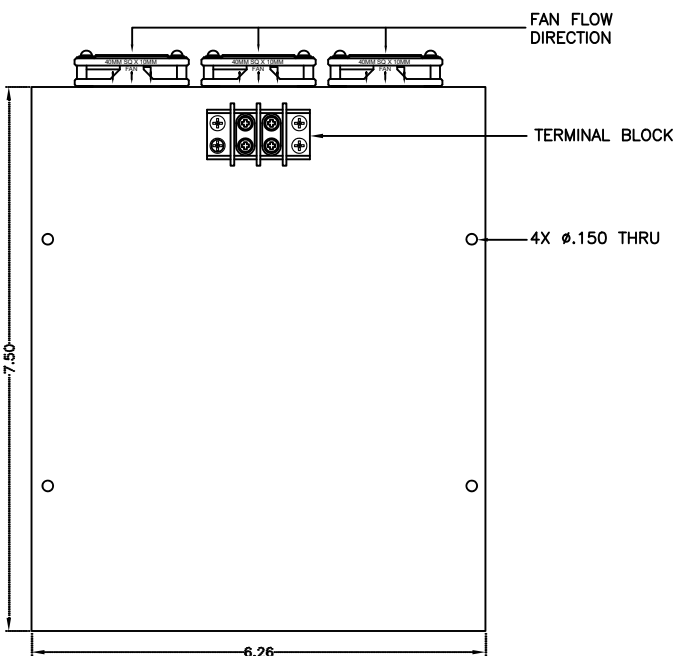


TOP VIEW

LARGE FLAT HEATSINK

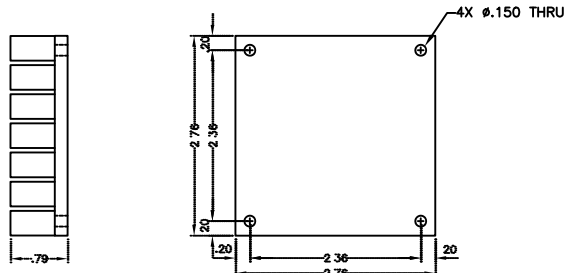


BACK VIEW



TOP VIEW

SMALL FLAT HEATSINK



SIDE VIEW

TOP VIEW



FRONT VIEW

TOLERANCES: .XX ±.01