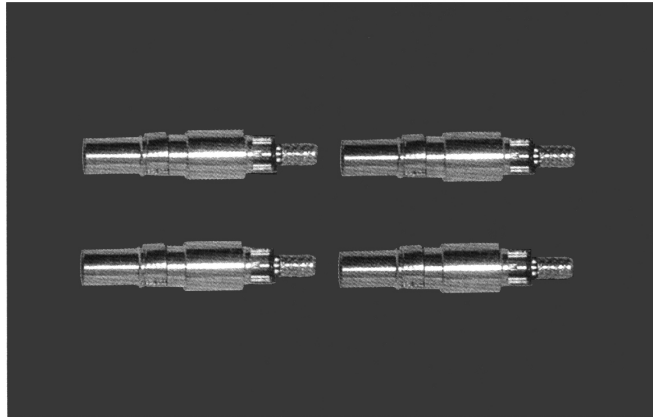


SERIES DSA-75 RF COAXIAL CONNECTORS



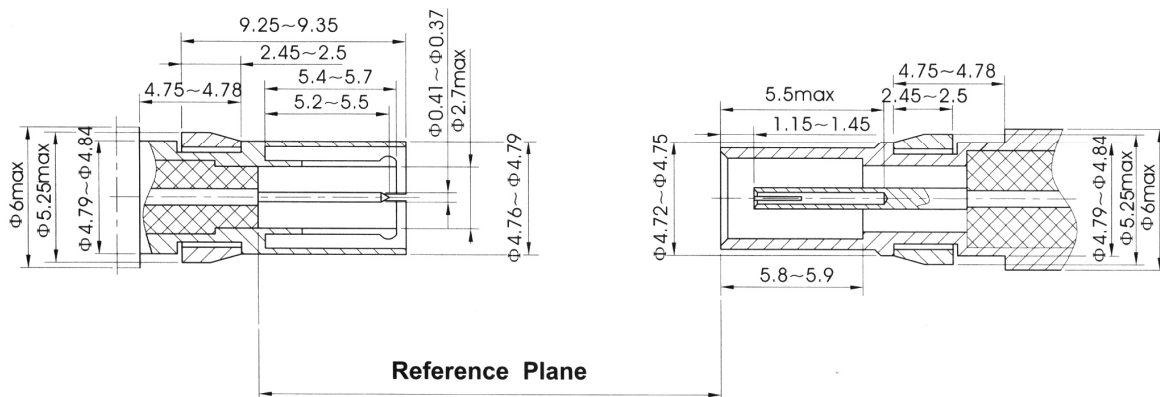
Key performance

Characteristic Impedance : 75 Ω
 Frequency range : 0~1GHz
 Contact resistance :
 Center conductor ≦ 6.0m Ω
 Out conductor ≦ 2.0m Ω
 Insulation resistance : ≥ 500M Ω
 Insulator voltage withstanding : 500V
 VSWR : ≦ 1.30
 Connector durability : 500 cycles
Applicable spec/std : MIL-C-24308

Material

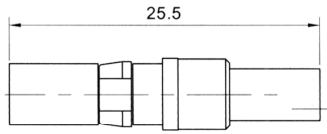
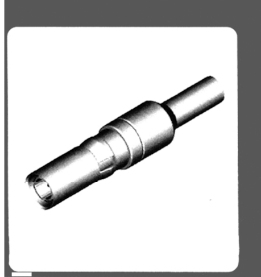
Center contacts:
 Male---brass, gold plated.
 Female---beryllium copper, gold plated
 Bodies and other metal parts:
 brass, gold plated
 Insulators: Teflon
 Crimp ferrule: copper, nickel plated.
 Gasket and seal rings: silicone rubber
 Heat-shrink tubing: thermofit plastic.

Interface Dimensions

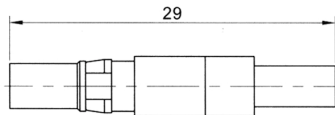
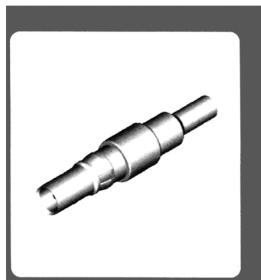


DSA-75 SERIES

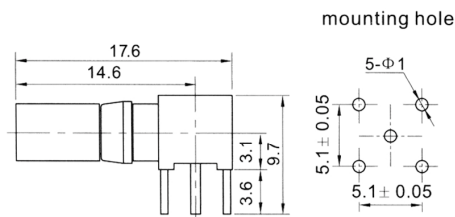
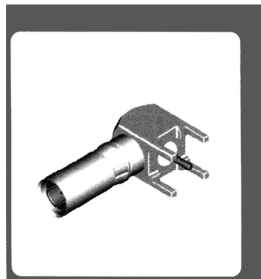
CERNEX, Inc.



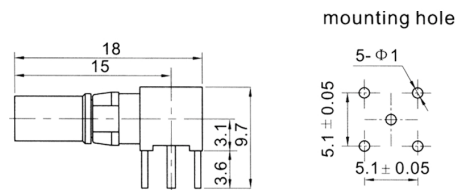
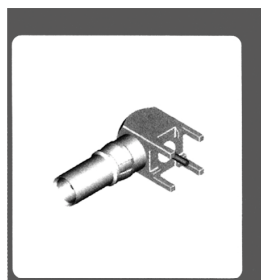
Type	part number	suitable cable	Note
DSA-J3	2210-6501	3	



Type	part number	suitable cable	Note
DSA-K3Y	2220-6501	3	



Type	part number	Note
DSA-JWHD	2230-5801	



Type	part number	Note
DSA-KWHD	2240-5801	